

Features:

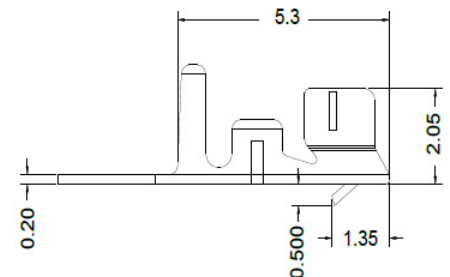
- Hand Crimp tool for 140 series
- Crimp settings for common wires between 24 to 28 AWG
- Replacement parts are available for purchase separately. (Refer to selection guide tables for part numbers)
- Designed to be easily adjusted
- Adjustment settings for conductor and insulation crimp area
- Quiet
- High strength and easy to use



Contact Number: 140-941-290 / 140-941-290P80*

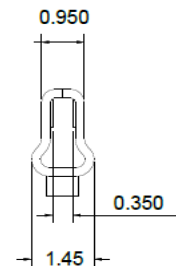
*Contacts will have to be removed from the carrier strip prior to using the tool.

Hand Crimp Tool	Replacement Parts		
	Locator	Screw	Hex Nut
140-280-201	140-281-003	516-251-280-101	516-252-280-102

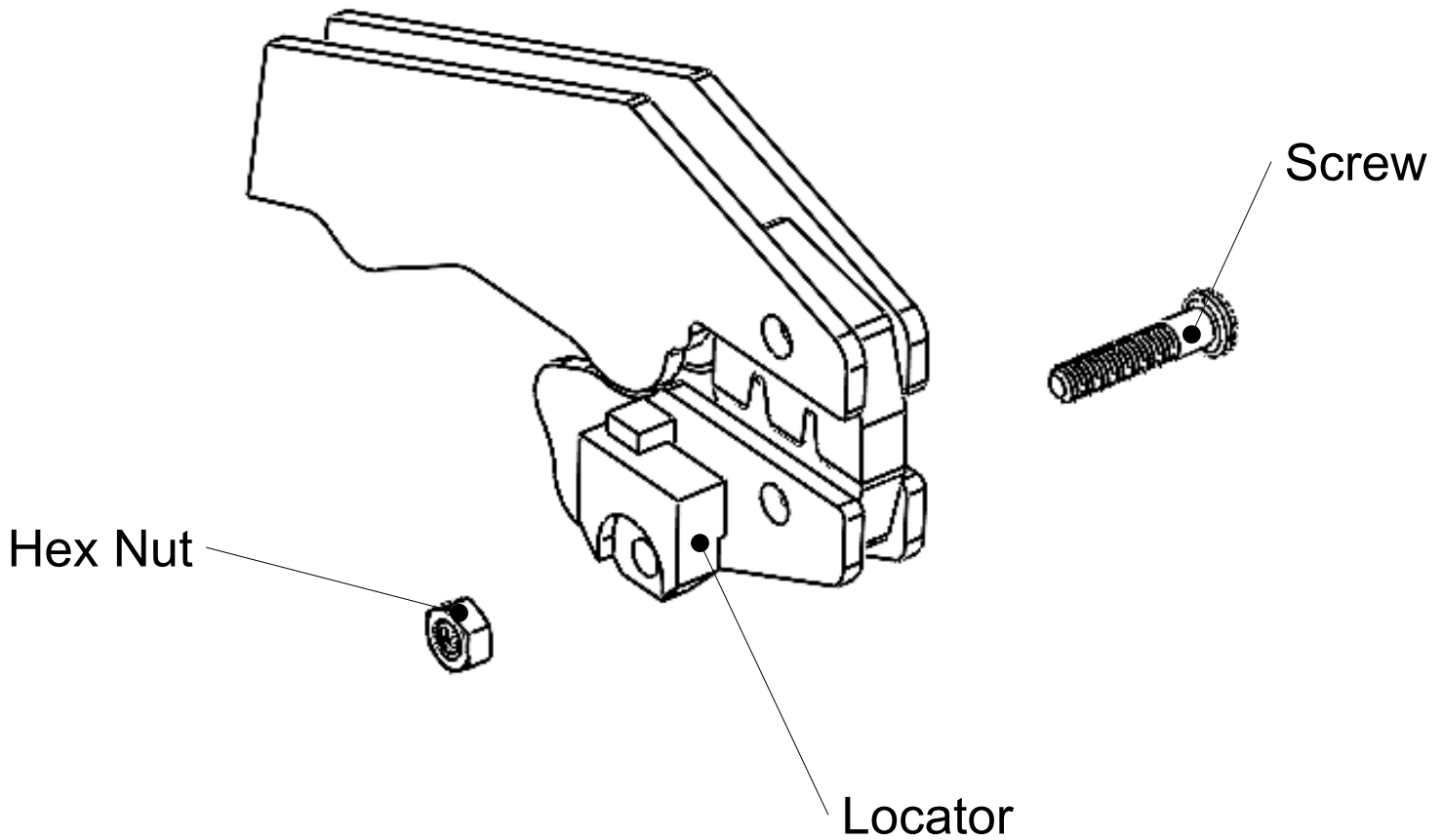


Crimp Strength for Wire Sizes:

24 AWG	5 lbs (22 N)
26 AWG	3 lbs (13 N)
28 AWG	2 lbs (9 N)



REPLACEMENT PARTS



For additional questions please contact: customerservice@edac.net